

This Booklet belongs to _____

Year 7 Induction Booklet for Pupils



BELVOIR
A PRIORY ACADEMY

Barkestone Lane

Bottesford

Notts

NG13 OAX

Tel: 01949 844920

email: generalenquiries@belvoiracademy.co.uk



**My Headteacher
is Mr Newton**



**My Head of Year
is Miss Steer**

Important Dates

Induction Day

On *Thursday 3rd July from 8.40am to 3.10pm* you will come to Belvoir Academy to meet your new teachers and make lots of new friends.

Induction Evening

On *Thursday 3rd July from 3.30pm to 4:30pm*, you are invited to show your parents around your new school and meet your tutor. If you attend you will stay with your tutor from 3.10pm until meeting your parents at 3.30pm.

Induction Day

When arriving where you need to go

On the first day, you need to organise getting to Belvoir by 8:40am. There will be several staff waiting for you outside. You will be taken to the Main Hall and Miss Steer will be waiting for you to introduce you to your new tutor.



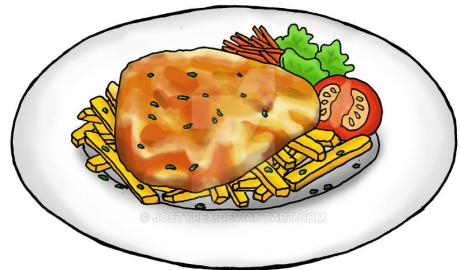
What you need to bring



1) Bring with you a bag and a pencil case containing:

- pen
- pencil
- ruler
- eraser
- colouring pencils

2) For lunch you will either need to bring packed lunch or you will have a school dinner. If you have a school dinner, you will be using the cashless system, so please do not bring money, the payment will come out of your account in September. If you usually have free school meals a hot dinner will be provided.



3) A water bottle.

Academy day

Within the first 10 minutes you will be placed into your tutor group and meet your tutor. You will spend the first part of the day getting to know your tutor and the remainder of the day you will be following your new timetable, trying different subjects and meeting new teachers. You will do lots of fun activities to help everyone get to know each another.

Don't worry about getting lost, students and staff are very friendly. They will show you the way and get you to the correct room. You will become confident very quickly navigating



Time	How will I spend my day ?
8.45am	Registration and Assembly
9.05am	Lesson 1
10.05am	Lesson 2
11.05am	Break
11.25am	Lesson 3
12.25pm	Lunch
1.10pm	Lesson 4
2.10pm to 3.10pm	Lesson 5

In Year 7 you will study

- Art
- Drama
- Design and Technology
- English
- French
- Geography
- History
- Information Communications Technology



- Maths
- Music
- Physical Education
- Religious Education
- Science

Each subject is taught in its own special classroom. You will be given your own timetable which tells you the subject, the name of the teacher and the room where you should be for each lesson. Each lesson lasts for 1 hour.

Breaktime and Lunchtime

Debdale Courtyard and the Main Hall

On the Induction Day the area outside the main hall will be a year 6 only area. You will only be allowed in the courtyard and the main hall at breaktime and lunchtime. This will be a great opportunity to get to know new friends and meet up with your primary friends.

Packed Lunch

If you choose to bring a packed lunch you will be able to eat in the canteen.

From September you will have a choice. You will be able to eat it in the school canteen or outside on a picnic table.



Canteen Food during the Induction Day

Breaktime

Breakfast homebakes, fruit pots and a variety of hot snacks (cinnamon swirl, wedges, pizza, sausage wrap)

Lunchtime

The following will be available:



Jacket potato (1 filling)	£2.00
Jacket potato (2 fillings)	£2.40
Sandwich	£2.00 - £2.50
Pasta pot	£1.95 - £2.40
Hot dinner and pudding	£2.60
Cake	£1.10
Drink carton (water, juice)	£1.00

What you do at lunchtimes

School Field

The school field is available at lunchtime to play sport or to chat to your friends.



Lunchtime Clubs

In September, you may wish to join one of the many lunchtime clubs such as:

Warhammer Club	Debate Club	Dance Club	History Club
Robotics Club	Book Club	Science Club	Table Tennis Club

Sports clubs: football, netball, basket ball, tennis, badminton, hockey, trampolining, athletics, rugby and many more.....

Debdale Courtyard

In September the area outside the main hall is a year 7 only area.

Canteen

The canteen is open at all times. You use it just to meet friends or eat.



Library and VLE centre

The library and VLE centre are open for all at breaktime and lunchtime. At secondary school students are allowed to do their homework at lunchtime. You can choose to do this in these areas.

Homework

At Priory Belvoir you will be given homework most nights. Each subject sets a piece of homework every four lessons. It will develop your skills and help you to study better. We also think your out-of-school activities such as Guides, Scouts, Music lessons etc are an important part of your life. Homework is set so that there are two or more days to hand it in. Therefore you can plan your time to include homework and all the other activities that you want to do.

Homework will vary according to the subject. It could be:

- a) learning spellings or new French words.
- b) finding out about something or planning a topic.
- c) follow-up work to your lesson.

Every day afterschool there is an optional homework club until 3.40pm. This is open to all students and support staff are available to help students.

ClassCharts App

At the start of the year you will be given information on how to access ClassCharts. You will be able to view:

- Homework details,
- Achievement points,
- Behaviour points



Parents and carers will also be able to view this on ClassCharts.



Lockers

In September you will be given a locker to store your belongings during the school day. To secure your locker you will need a padlock.



**Don't forget the following on Thursday
4th July.**

- 1. A school bag.**
- 2. A equipment-pen, pencil, rubber,
ruler and colouring pencils.**
- 3. A packed lunch or £2.50 for a school
dinner.**
- 4. A water bottle.**
- 5. Your bus pass, for those coming by
school bus.**
- 6. To enjoy yourself.**

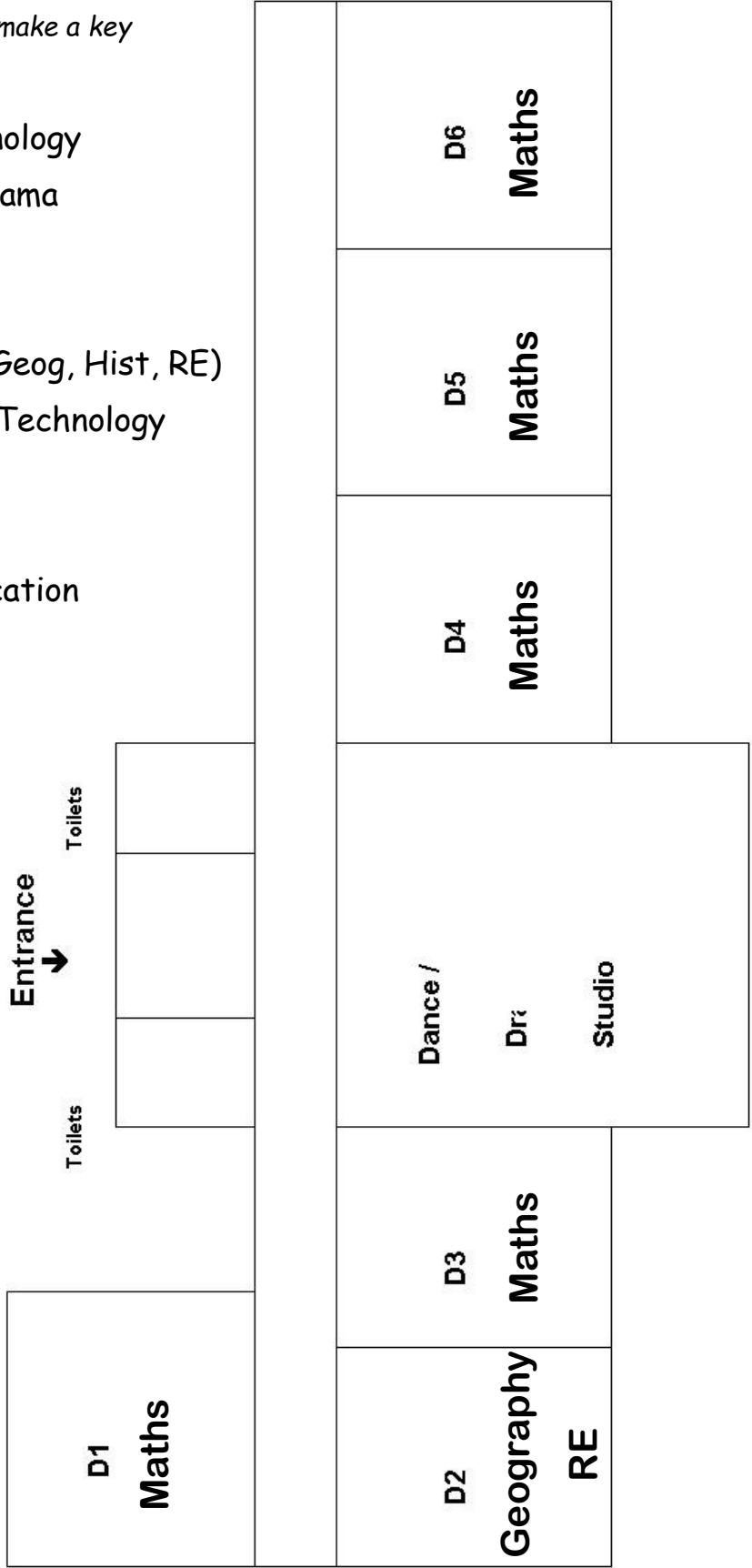
**We look forward to
seeing you .**



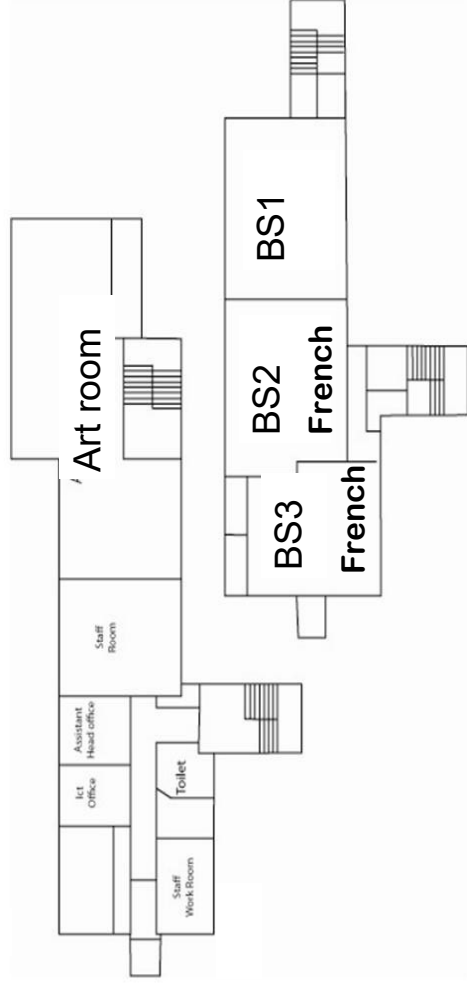
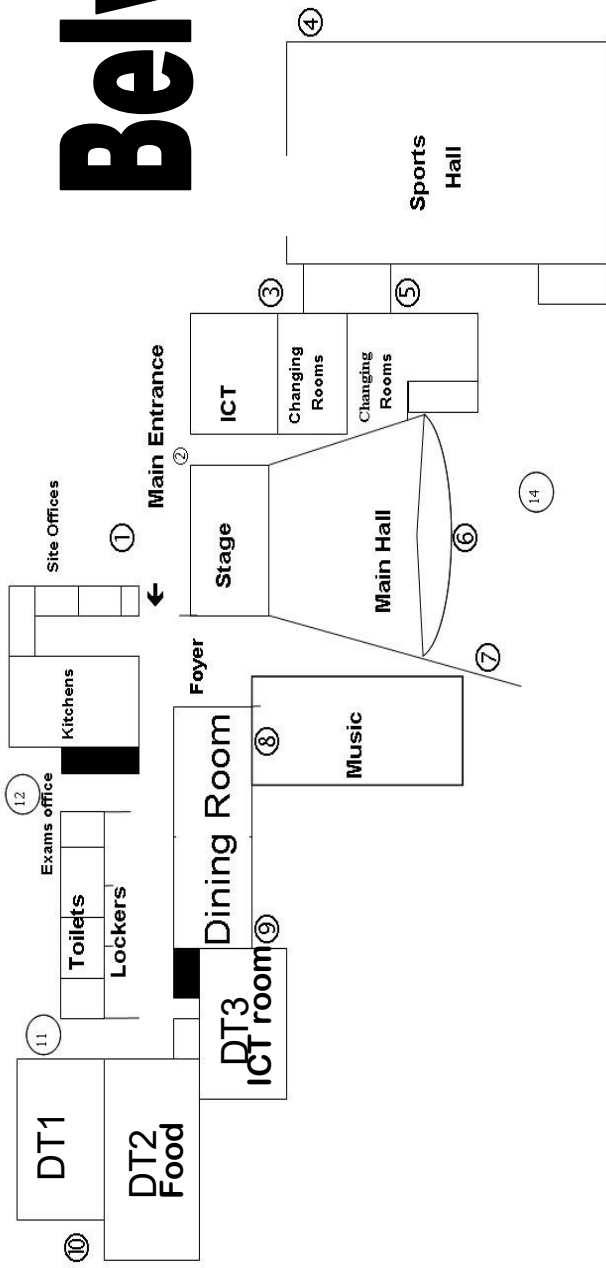
Debdale Map

Key: colour to make a key

- Art
- Design Technology
- Dance and drama
- English
- French
- Humanities (Geog, Hist, RE)
- Information Technology
- Maths
- Music
- Physical Education
- Science



Belvoir Map





Winterbeck Map